



Opto-Link
Corporation Ltd

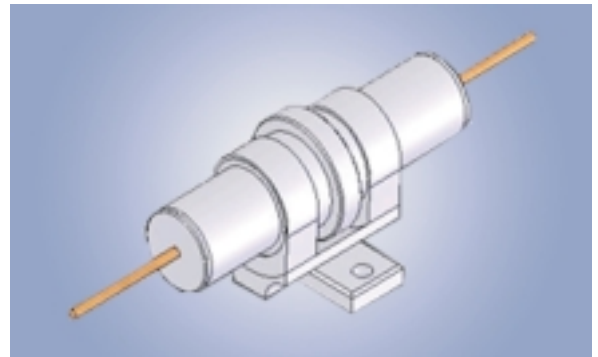
Polarization Maintaining VOA

(Wavelength: 1550nm)

Polarization Maintaining Variable Optical Attenuators are optimized for DWDM network applications. These series offer stable performance over wide temperature and wavelength ranges. In addition, they provide low insertion loss and high resolution and repeatability. Custom design for specific customer applications are available. It is ideal for managing optical power in metro and long haul DWDM transport applications.

Types

- Polarization Maintaining VOA



Applications

- CATV systems
- DWDM networks
- Optical add/drop multiplexing
- Optical communication system testing
- Optical device manufacturing
- Optical parameter measurement
- Telecommunication systems
- Power control and equalization in multichannel systems

Features

- High attenuation accuracy
- Low insertion loss
- Large attenuation range
- Compact size
- High stability and high reliability
- Self-diagnostic
- Easy operation



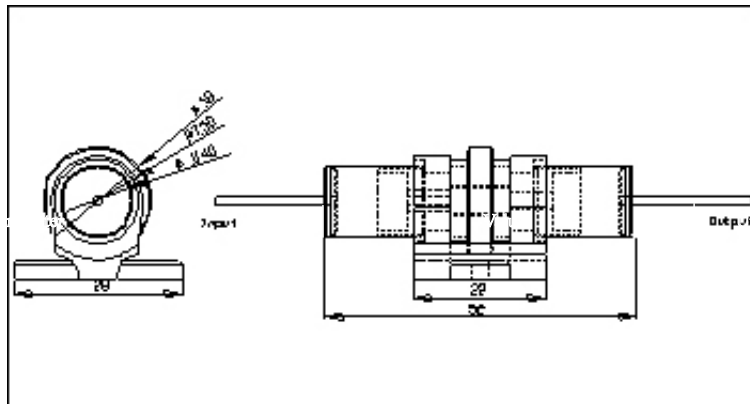
Opto-Link
Corporation Ltd

SPECIFICATIONS

Polarization Maintaining VOA

Parameter	Value	Unit
Center Wavelength	1550	nm
Operating Wavelength Range	+/-10	nm
Excess Loss	1	dB
Attenuation Range	~35	dB
Min. Return Loss	>50	dB
Min. Extinction Ratio	20	dB
Max. Optical Power (Continuous Wave)	500	mW
Max. Tensile Load	5	N
Operating Temperature	0 to +65	°C
Storage Temperature	-40 to +85	°C
Fiber Type	PM 1550 Panda	--

*Above specifications are for device without connector.



ORDERING CODES

Polarization Maintaining VOA:

OLVOA - P - [] - [] - [] - []

Wavelength	Code
1550 nm	155

Cable Diameter	Code
250 μm	25
900 μm	90

Connector Type	Code
No Connector	NC
FC/PC	FP
SC/PC	SP
FC/APC	FA
SC/APC	SA
LC/PC	LP
MU/PC	MP

■ Opto-Link Corporation Ltd. reserves the right to make changes to the products described herein without notice.

COPYRIGHT © 2002-2008 Opto-Link Corporation Ltd.

Tel: +852 2480-6106 Fax: +852 2480-1621 Email: contact@optolinkcorp.com Website: www.optolinkcorp.com